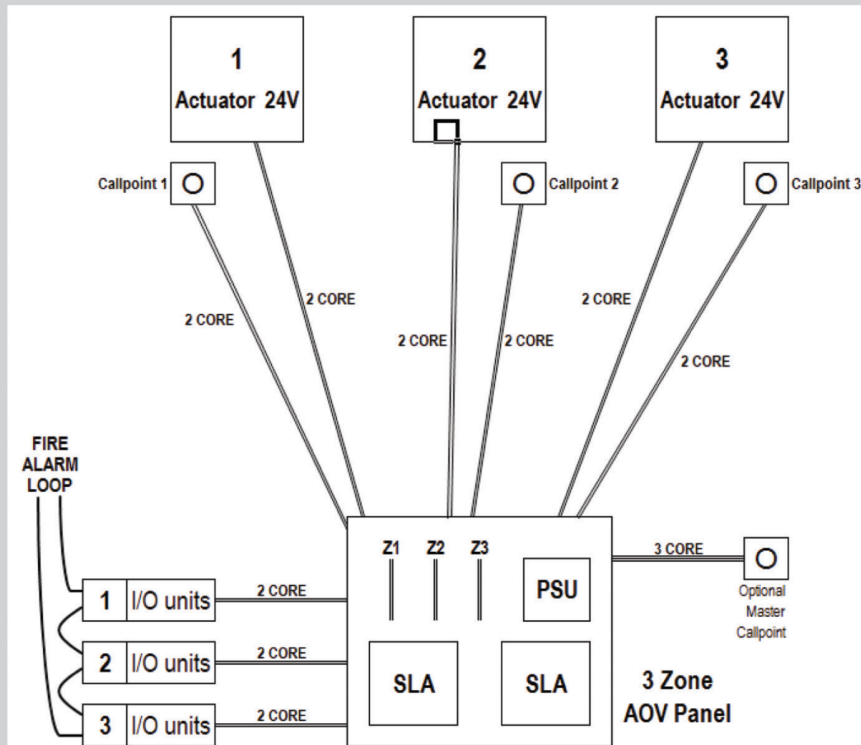


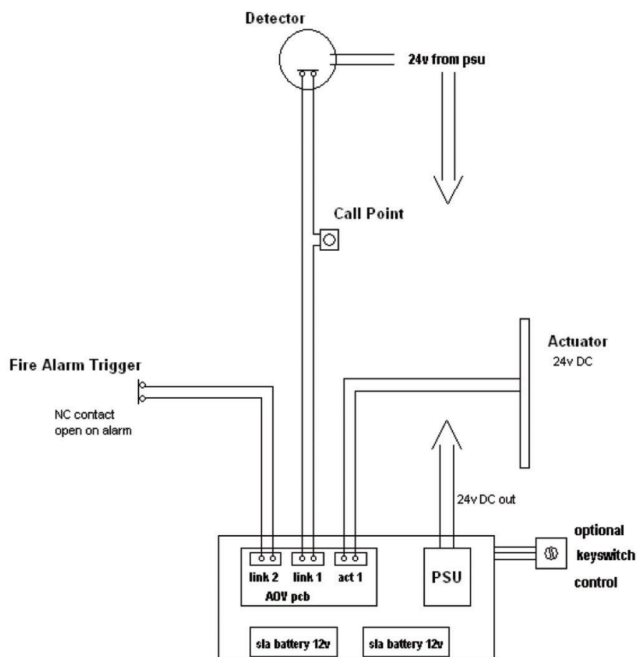
AUTOMATIC OPENING VENTS (AOV'S)

AOV 3 ZONE SCHEMATIC



- Window actuator must be 24V DC.
- Callpoints can be keyswitch (2 pos), rocker switch (2 pos) or "smash glass"
- Master callpoint can be keyswitch or rocker switch - 3 position.
- PSU should suit actuator loading current.
(ie if less than 1.5amp each use 5amp PSU
if more than 1.5amp each use 10amp PSU)

AOV Single zone standard automatic layout



Typical AOV arrangement

